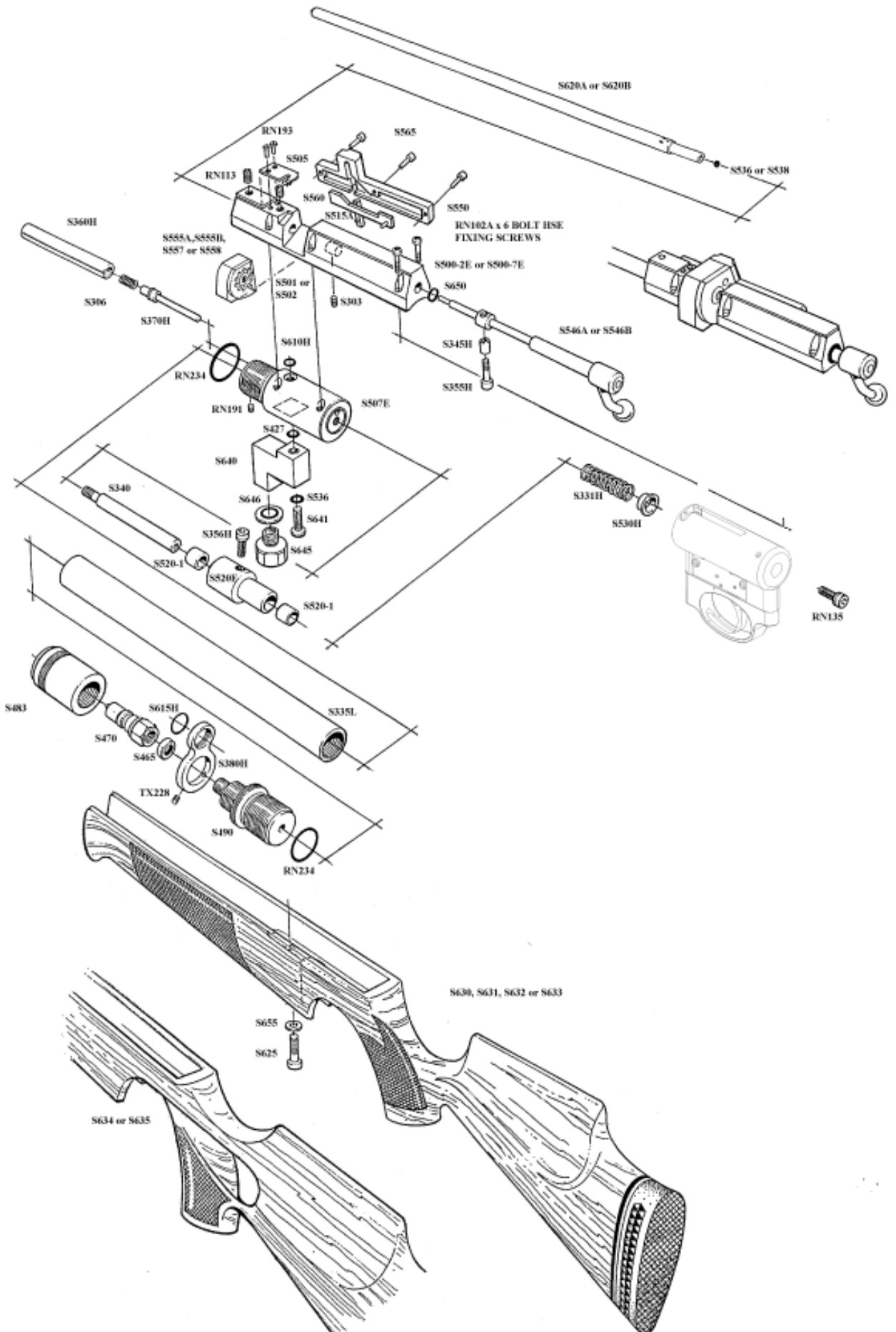


PARTS ILLUSTRATION <> S410-E



PARTS LIST <> S410-E

PART LIST <> S410 Carbine and Classic

PART NO.	DESCRIPTION.	QTY	PART NO.	DESCRIPTION.	QTY
RN102A	BOLT HSE FIXING SCREW	6	S520E	STRIKER	1
RN113	BARREL FIXING SCREW	2	S530H	SPRING GUIDE	1
RN135	BODY LOCATION SCREW	1	S536	.177 BARREL SEAL & SEALING RING	1
RN191	POT FIXING SCREW	1	S538	.22 BARREL SEAL	1
RN193	MAG RET CLIP SCREW	2	S546A	LOADING BOLT ASSEMBLY .177	1
RN234	SEALING RING	2	S546B	LOADING BOLT ASSEMBLY .22	1
S303	LOCKING SCREW	1	S550	SIDE PLATE	1
S306	FIRING VALVE SPRING	1	S555A	MAG ASSY .177	1
S331H	MAIN SPRING	1	S555B	MAG ASSY .22	1
S335L	CYLINDER TUBE	1	S557	MAG ASSY .22 5 SHOT	1
S340	STRIKER GUIDE ROD	1	S557	MAG ASSY .22 5 SHOT OPTIONAL	1
S345H	LOADING BOLT SCREW SLEEVE	1	S558	MAG ASSY .177 5 SHOT	1
S355H	LOADING BOLT SCREW	1	S560	CAMPLATE	1
S356H	STRIKER SCREW	1	S565	SIDE PLATE SCREW	3
S360H	POT	1	S610H	FIRING VALVE BODY SEAL	1
S370H	FIRING VALVE	1	S615H	BARREL CLAMP RING	1
S380	BARREL CLAMP	1	S620A	BARREL/TUBE ASSY .177	1
S427	SEALING RING	1	S620B	BARREL/TUBE ASSY .22	1
S465	BONDED SEAL	1	S625	STOCK SCREW	1
S468	FEMALE CONNECTOR	1	S630	R/H BEECH STOCK	1
S470	MALE CONNECTOR	1	S631	L/H BEECH STOCK	1
S483	CYLINDER END CAP	1	S632	R/H WALNUT STOCK	1
S484	FRONT CLAMP RING	1	S633	L/H WALNUT STOCK	1
S490	FILLING VALVE BODY	1	S634	R/H THUMBHOLE STOCK	1
S500-2E	BOLT HSE .22	1	S635	L/H THUMBHOLE STOCK	1
S500-7E	BOLT HSE .177	1	S640	GAUGE MOUNT	1
S501	BOLT HSE BUSH	1	S641	GAUGE MOUNT SCREW	1
S502	BOLT HSE BUSH	1	S645	GAUGE	1
S505	MAG RETAINING CLIP	1	S646	GAUGE SEAL	1
S507E	FIRING VALVE BODY	1	S650	LOADING BOLT BUFFER	1
S515A	INDEXING POST ASSY	1	S655	STOCK WASHER	1
S520-1	STRIKER BUSH	2	TX228	CYLINDER CLAMP SCREW	2

PLEASE STATE YOUR RIFLE NUMBER IN ANY CORRESPONDENCE.