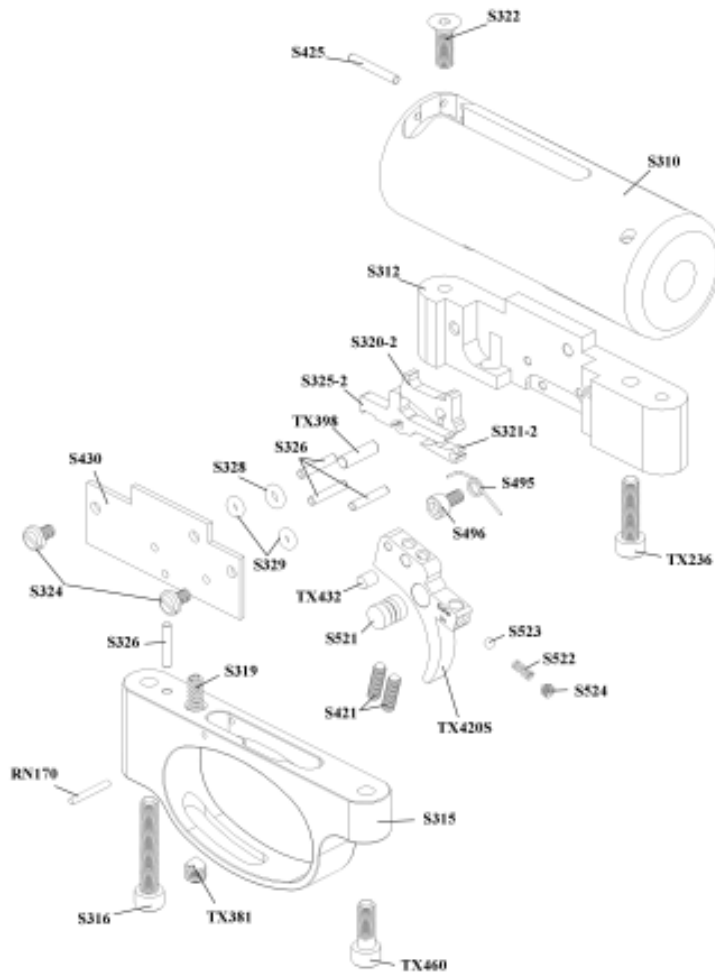


PART LIST <> TRIGGER UNIT

PART NO.	DESCRIPTION.	QTY	PART NO.	DESCRIPTION.	QTY
S310	STRIKER BODY	1	S420G	TRIGGER BLADE (GOLD)	1
RN170	TRIGGER STOP PIN	1	S421	TRIGGER ADJUSTMENT SCREW	2
S312	CHASSIS	1	S425	HANDING PIN	1
S315	TRIGGER GUARD	1	S430	CHASSIS COVER PLATE	1
S316	TRIGGER GUARD SCREW (large)	1	S495	TOP SEAR SPRING	1
S319	SPRING	1	S496	TOP SEAR SPRING SCREW	1
S320-2	TOP SEAR	1	S521	SAFETY BUTTON	1
S321-2	BOTTOM SEAR	1	S522	SAFETY BUTTON BALL	1
S322	CHASSIS FIXING SCREW (short)	1	S523	SAFETY BUTTON SPRING	1
S324	TRIGGER CHASSIS COVER SCREW	2	S524	SAFETY BUTTON SCREW	1
S325-2	MIDDLE SEAR	1	TX236	CHASSIS SCREW	1
S326	CHASSIS PIN (small)	3	TX381	TRIGGER WEIGHT OF PULL SCREW	1
S328	CHASSIS PIN SPACER (large)	1	TX398	CHASSIS PIN (large)	1
S329	CHASSIS PIN SPACER (small)	2	TX432	TRIGGER ADJUSTING SCREW LOCKING PAD	1
S420S	TRIGGER BLADE	1	TX460	TRIGGER CHASSIS SCREW	1



PARTS LIST <> S410-CH

<u>PART LIST <> S410 Carbine and Classic</u>					
PART NO.	DESCRIPTION.	QTY	PART NO.	DESCRIPTION.	QTY
RN102A	BOLT HSE FIXING SCREW	6	S515A	INDEXING POST ASSY	1
RN113	BARREL FIXING SCREW	2	S520-1	STRIKER BUSH	2
RN135	BODY LOCATION SCREW	1	S520E	STRIKER	1
RN191	POT FIXING SCREW	1	S530H	SPRING GUIDE	1
RN193	MAG RET CLIP SCREW	2	S536	SEALING RING	1
RN234	SEALING RING	2	S538	BARREL SEAL	1
RN235	CYLINDER TUBE (CARBINE)	1	S546B	LOADING BOLT ASSEMBLY	1
S303	LOCKING SCREW	1	S550	SIDE PLATE	1
S306	FIRING VALVE SPRING	1	S555B	MAG ASSY .22	1
S331H	MAIN SPRING	1	S557	MAG ASSY .22 5 SHOT OPTIONAL	1
S335	CYLINDER TUBE (CLASSIC)	1	S560	CAMPLATE	1
S340	STRIKER GUIDE ROD	1	S565	SIDE PLATE SCREW	3
S345H	LOADING BOLT SCREW/ SLEEVE	1	S581	MODERATOR SCREW	1
S355H	LOADING BOLT SCREW	1	S585S	SOUND MODERATOR (OPTIONAL)	1
S356H	STRIKER SCREW	1	S610H	FIRING VALVE BODY SEAL	1
S360H	POT	1	S625	STOCK SCREW	1
S370H	FIRING VALVE	1	S630	R/H BEECH STOCK	1
S403A	BARREL CLASSIC	1	S631	L/H BEECH STOCK	1
S403F	BARREL CARBINE	1	S632	R/H WALNUT STOCK	1
S427	SEALING RING	1	S633	L/H WALNUT STOCK	1
S459	MUZZLE END	1	S634	R/H THUMBHOLE STOCK	1
S465	BONDED SEAL	1	S635	L/H THUMBHOLE STOCK	1
S468	FEMALE CONNECTOR	1	S640	GAUGE MOUNT	1
S470	MALE CONNECTOR	1	S641	GUAGE MOUNT SCREW	1
S482	BARREL CLAMP	1	S645	GAUGE	1
S483	CYLINDER END CAP	1	S646	GAUGE SEAL	1
S484	FRONT CLAMP RING	1	S650	LOADING BOLT BUFFER	1
S490	FILLING VALVE BODY	1	S655	STOCK WASHER	1
S500-2CH	BOLT HSE CARBINE	1	TX228	CYLINDER CLAMP SCREW	2
S500-2SH	BOLT HSE CLASSIC	1	TX239	MUZZLE END SCREW	1
S501	BOLT HSE BUSH	1			
S505	MAG RETAINING CLIP	1			
S507E	FIRING VALVE BODY	1			

PLEASE STATE YOUR RIFLE NUMBER IN ANY CORRESPONDENCE.