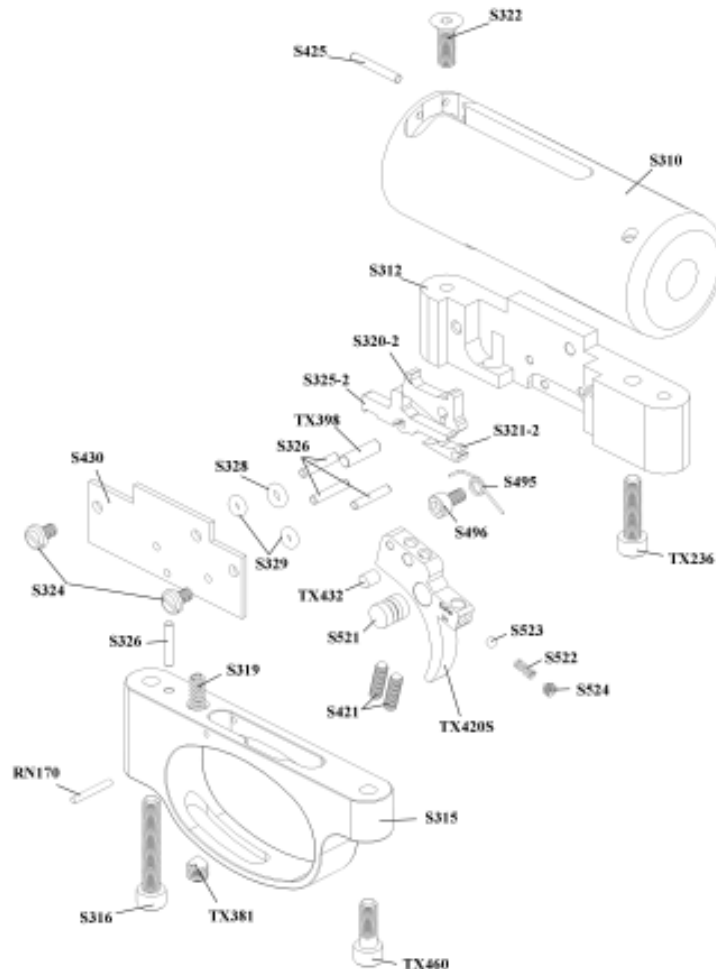
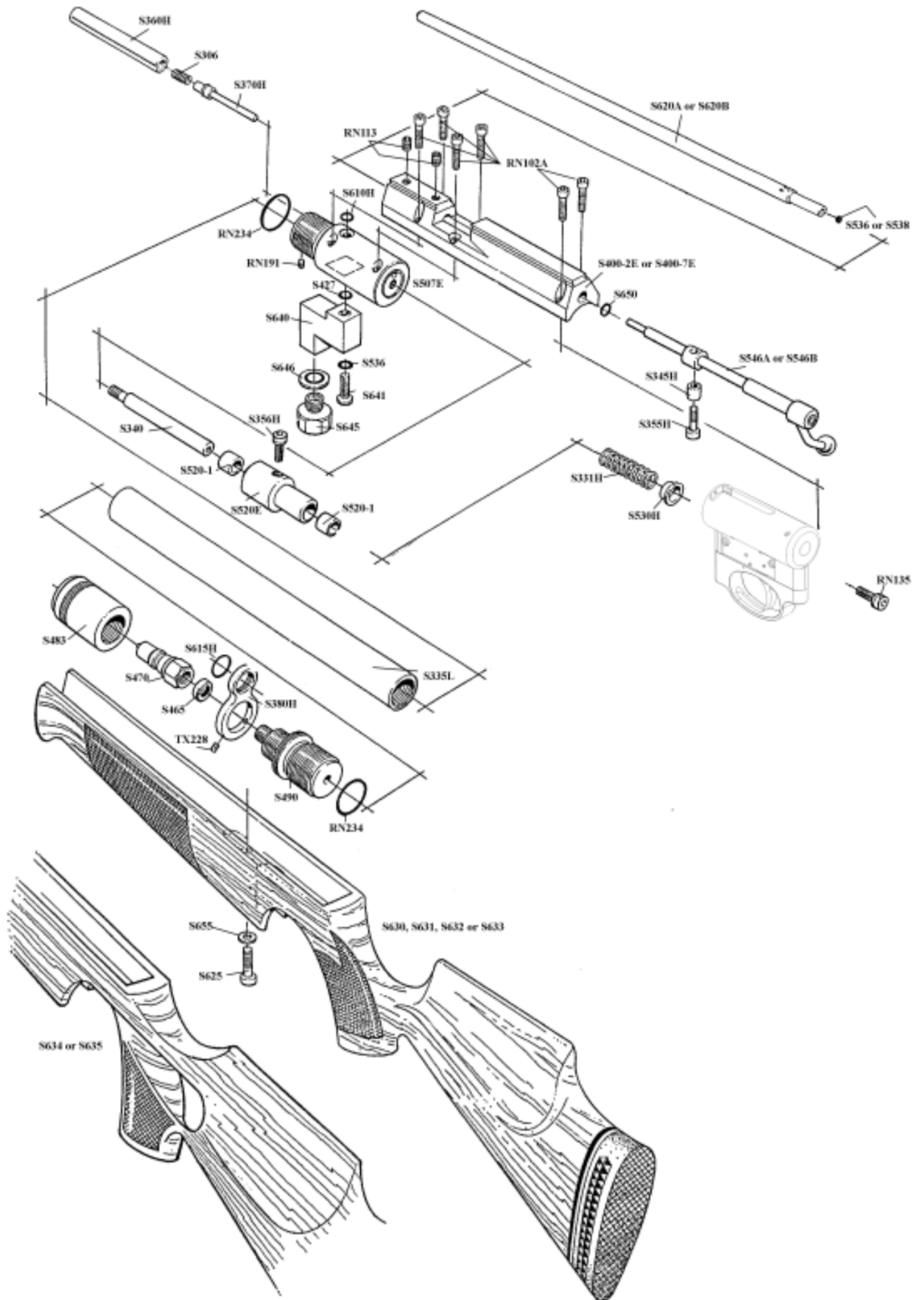


## PART LIST <> TRIGGER UNIT

PART NO.	DESCRIPTION.	QTY	PART NO.	DESCRIPTION.	QTY
S310	STRIKER BODY	1	S420G	TRIGGER BLADE (GOLD)	1
RN170	TRIGGER STOP PIN	1	S421	TRIGGER ADJUSTMENT SCREW	2
S312	CHASSIS	1	S425	HANDING PIN	1
S315	TRIGGER GUARD	1	S430	CHASSIS COVER PLATE	1
S316	TRIGGER GUARD SCREW (large)	1	S495	TOP SEAR SPRING	1
S319	SPRING	1	S496	TOP SEAR SPRING SCREW	1
S320-2	TOP SEAR	1	S521	SAFETY BUTTON	1
S321-2	BOTTOM SEAR	1	S522	SAFETY BUTTON BALL	1
S322	CHASSIS FIXING SCREW (short)	1	S523	SAFETY BUTTON SPRING	1
S324	TRIGGER CHASSIS COVER SCREW	2	S524	SAFETY BUTTON SCREW	1
S325-2	MIDDLE SEAR	1	TX236	CHASSIS SCREW	1
S326	CHASSIS PIN (small)	3	TX381	TRIGGER WEIGHT OF PULL SCREW	1
S328	CHASSIS PIN SPACER (large)	1	TX398	CHASSIS PIN (large)	1
S329	CHASSIS PIN SPACER (small)	2	TX432	TRIGGER ADJUSTING SCREW LOCKING PAD	1
S420S	TRIGGER BLADE	1	TX460	TRIGGER CHASSIS SCREW	1



PARTS ILLUSTRATION ~ S400.E



**PARTS LIST <> S400-E**

**PART LIST <> S400 EXTRA**

<b>PART NO.</b>	<b>DESCRIPTION.</b>	<b>QTY</b>	<b>PART NO.</b>	<b>DESCRIPTION.</b>	<b>QTY</b>
RN102A	BOLT HSE FIXING SCREW	6	S530H	SPRING GUIDE	1
RN113	BARREL FIXING SCREW	2	S536	GAUGE BLOCK SEAL & .177 BARREL SEAL	2
RN191	LOCKING SCREW	1	S538	.22 BARREL SEAL	1
RN234	SEALING RING	2	S546A	LOADING BOLT ASSY .177	1
S306	FIRING VALVE SPRING	1	S546B	LOADING BOLT ASSY .22	1
S331H	MAIN SPRING	1	S610H	BOLT HAS TO FIRING VALVE BODY SEAL	1
S335L	CYLINDER TUBE	1	S615H	BARREL CLAMP RING	1
S340	STRIKER GUIDE ROD	1	S620A	BARREL/TUBE ASSY .177	1
S345H	LOADING BOLT SCREW SCREW SLEEVE	1	S620B	BARREL/TUBE ASSY .22	1
S355H	LOADING BOLT SCREW	1	S625	STOCK SCREW	1
S356H	STRIKER SCREW	1	S630	R/H BEECH STOCK	1
S360H	POT	1	S631	L/H BEECH STOCK	1
S370H	FIRING VALVE	1	S632	R/H WALNUT STOCK	1
S380H	BARREL CLAMP	1	S633	L/H WALNUT STOCK	1
S400-2E	BOLT HSE .22	1	S634	R/H THUMBHOLE STOCK	1
S400-7E	BOLT HSE .177	1	S635	L/H THUMBHOLE STOCK	1
S427	SEALING RING	1	S640	GAUGE BLOCK	1
S465	BONDED SEAL	1	S641	GAUGE BLOCK SCREW	1
S470	MALE CONNECTOR	1	S645	GAUGE	1
S483	END CAP	1	S646	GAUGE SEAL	1
S490	FILLING VALVE BODY	1	S650	LOADING BOLT BUFFER	1
S507E	FIRING VALVE BODY	1	S655	STOCK WASHER	1
S520-1	STRIKER BUSH	2	TX228	BARREL CLAMP SCREW	2
S520E	STRIKER	1			

PLEASE STATE YOUR RIFLE NUMBER IN ANY CORRESPONDENCE.