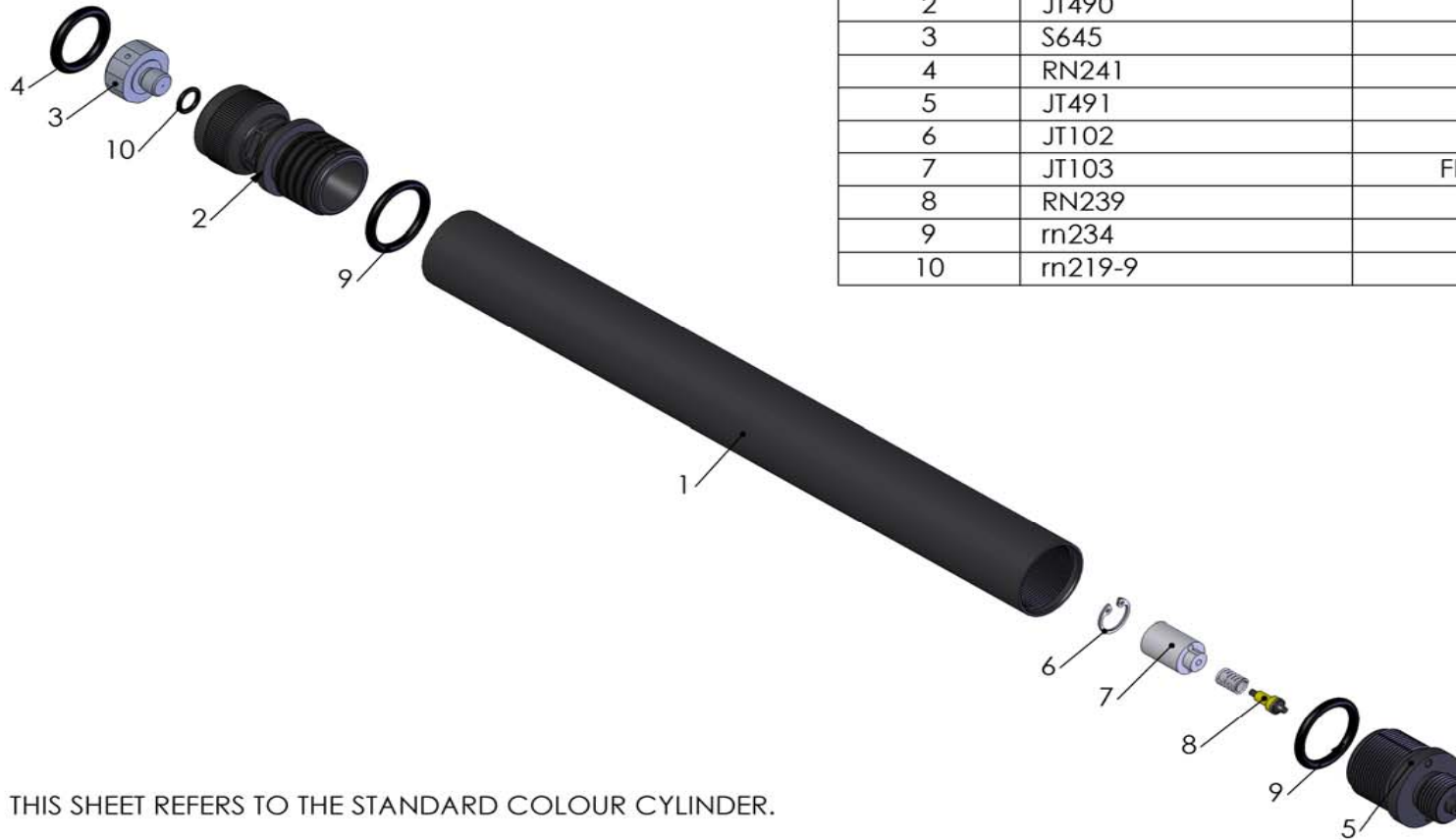




ITEM NO.	PART NUMBER	DESCRIPTION	QTY.
1	RN235	CYL TUBE	1
2	JT490	GAUGE BODY	1
3	S645	INDICATOR GAUGE	1
4	RN241	20X4 O RING	1
5	JT491	FILLING VALVE BODY	1
6	JT102	BS1300-14 CIRCLIP	1
7	JT103	FILLING VALVE SPRING RET	1
8	RN239	FILLING VALVE	1
9	rn234	BS213 O RING	2
10	rn219-9	B11 O RING	1



THIS SHEET REFERS TO THE STANDARD COLOUR CYLINDER.

FOR COLOURED CYLINDER USE.

BLUE - JT490B & JT491B  
 RED- JT490R & JT491R  
 GOLD - JT490G & JT491G



DO NOT SCALE DRAWING	REV: 1
PROJECT: MPR	
TITLE: MPR CYLINDER ASSY	
DWG NO. JT235A	A4

UNLESS OTHERWISE SPECIFIED:  
 DIMENSIONS ARE IN MILLIMETERS  
 SURFACE FINISH: Ra 0.8  
 TOLERANCES: LIN: +/- 0.12  
 ANG: +/- 0.25°

FINISH:  
 N/A

MATERIAL:  
 SEE BOM & NOTE

THIS DRAWING AND DESIGN MUST  
 NOT BE COPIED, SHOWN OR  
 HANDED TO ANY THIRD PARTY  
 WITHOUT PRIOR WRITTEN PERMISSION  
 FROM NSP ENG. LTD.

DRAWN: A DENNIS

DATE: 31/05/2006

DEBUR AND BREAK SHARP EDGES

WEIGHT: 562.99

SCALE: 1:10 SHEET 1 OF 1