

*FALL FLAT TARGETS  
AND SILHOUETTES.*



*PIGEON*



*RABBIT*



*CROW*



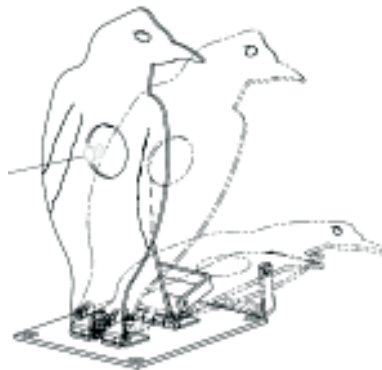
*RAT*

**SPECIAL FEATURES**

1. TARGET FACE PLATES CAN BE CHANGED IN SECONDS, TO VARY TARGET STYLES
2. GREAT VISUAL EFFECT. TARGET FALLS COMPLETELY FLAT WHEN HIT.
3. PRECISION SILHOUETTES CREATED USING HIGH TECH LASER EQUIPMENT.
4. MULTI-ADJUSTABLE SENSITIVITY, TARGETS CAN BE ADJUSTED TO SUIT BOTH STANDARD POWERED AIR RIFLES AND PISTOLS AND LOW POWERED AIR/CO2 RIFLES AND PISTOLS.
5. EACH TARGET SUPPLIED WITH FOUR FIXING STAKES, 50 METRES OF RESET CORD, 3 BOLTS, 2 NYLOC NUTS AND 1 STANDARD NUT.



*Stand the target  
on its site with the  
stakes pushed through  
the base and into the  
ground.*



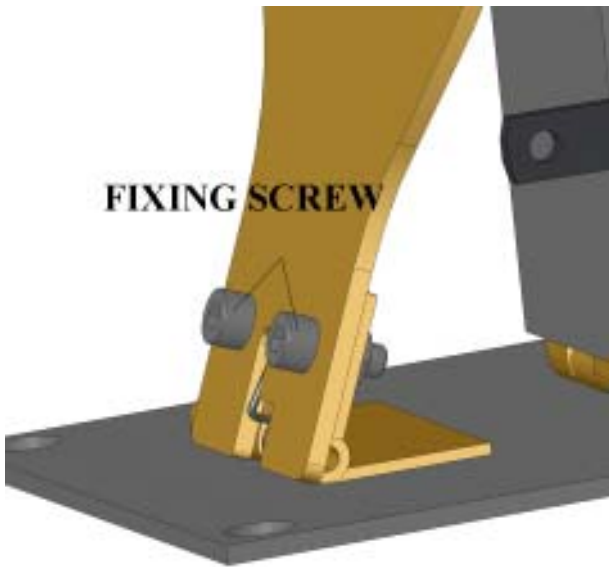
*When the target is shot  
in the kill zone it falls over.  
If the target is hit anywhere  
other than the kill zone it will  
stay standing.*



*Then just pull the reset  
string  
to stand back up.*

Air Arms, Unit 6, Hailsham Industrial Park, Diplocks  
Way, Hailsham, East Sussex, England BN27 3JF.

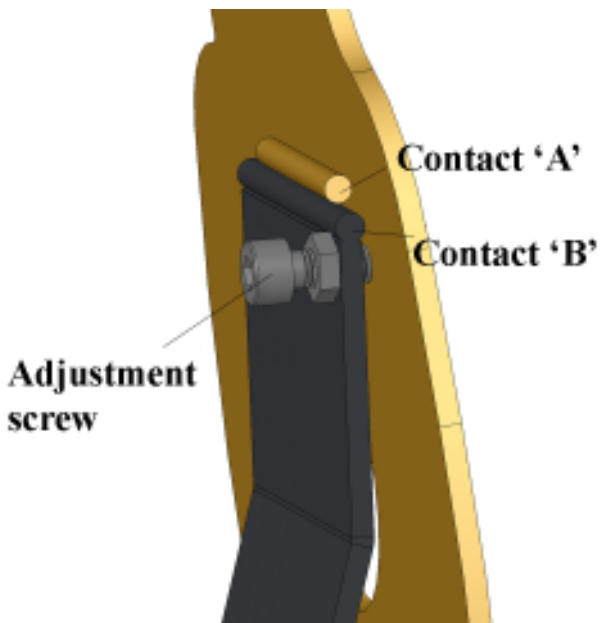
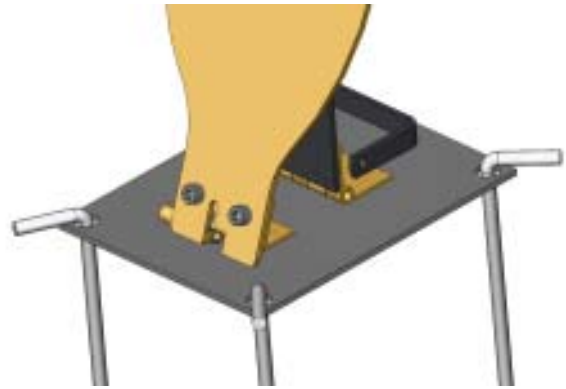
Tel: 01323 845853. Fax: 01323 440573.  
Website: [www.air-arms.co.uk](http://www.air-arms.co.uk)  
Email: [general@air-arms.co.uk](mailto:general@air-arms.co.uk)



*Fix the target to the base with the 2 fixing screws and the nuts supplied.*

*To control sensitivity of the target fit the nut onto the adjustment screw then fit the screw to the lever. The nut allows the screw to be locked off.*

*Use the stakes pushed through the holes in the base plate to secure the target to the ground.*



*To adjust the sensitivity of the target you need to turn the screw in or out to allow more or less contact between 'A' and 'B'. The target can be set for CO2 pistols up to high powered air rifles.*